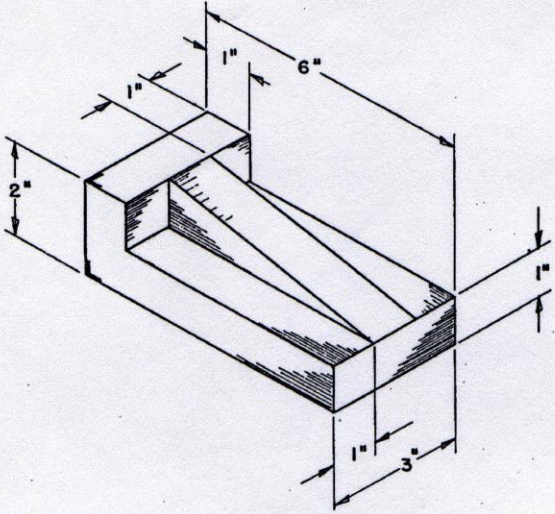
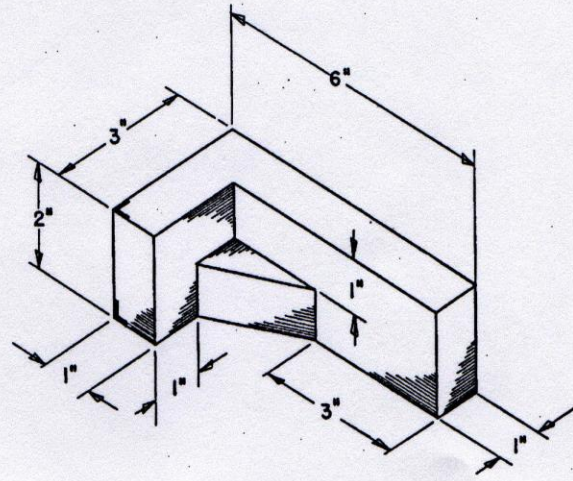


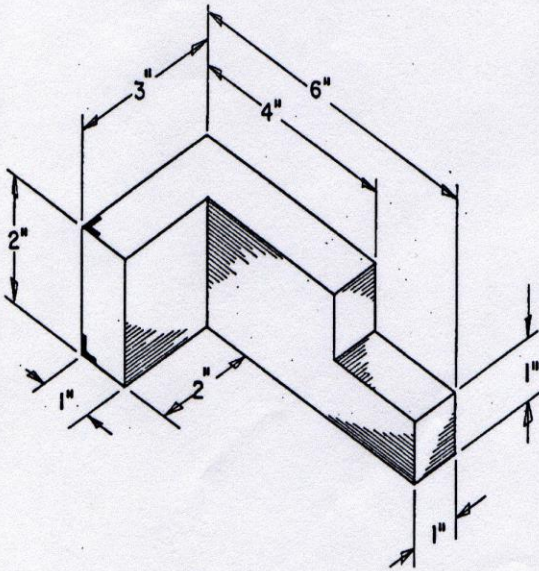
Drafting Set



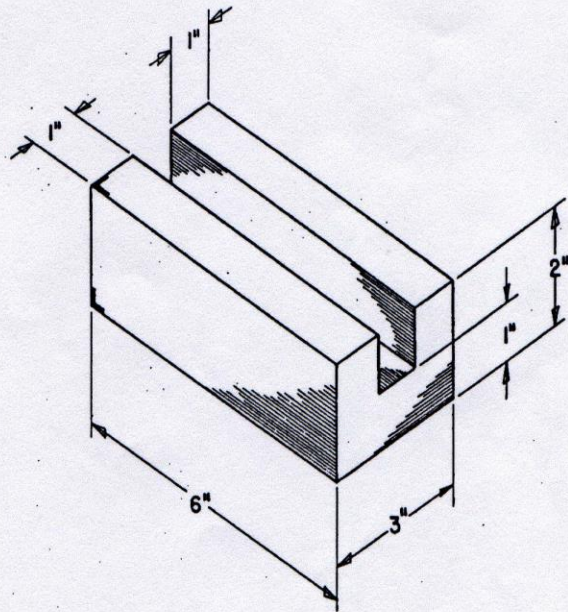
Angle Block - O7



Bracket - O8



Angle Lap Block - O9



Grooved Block - O10